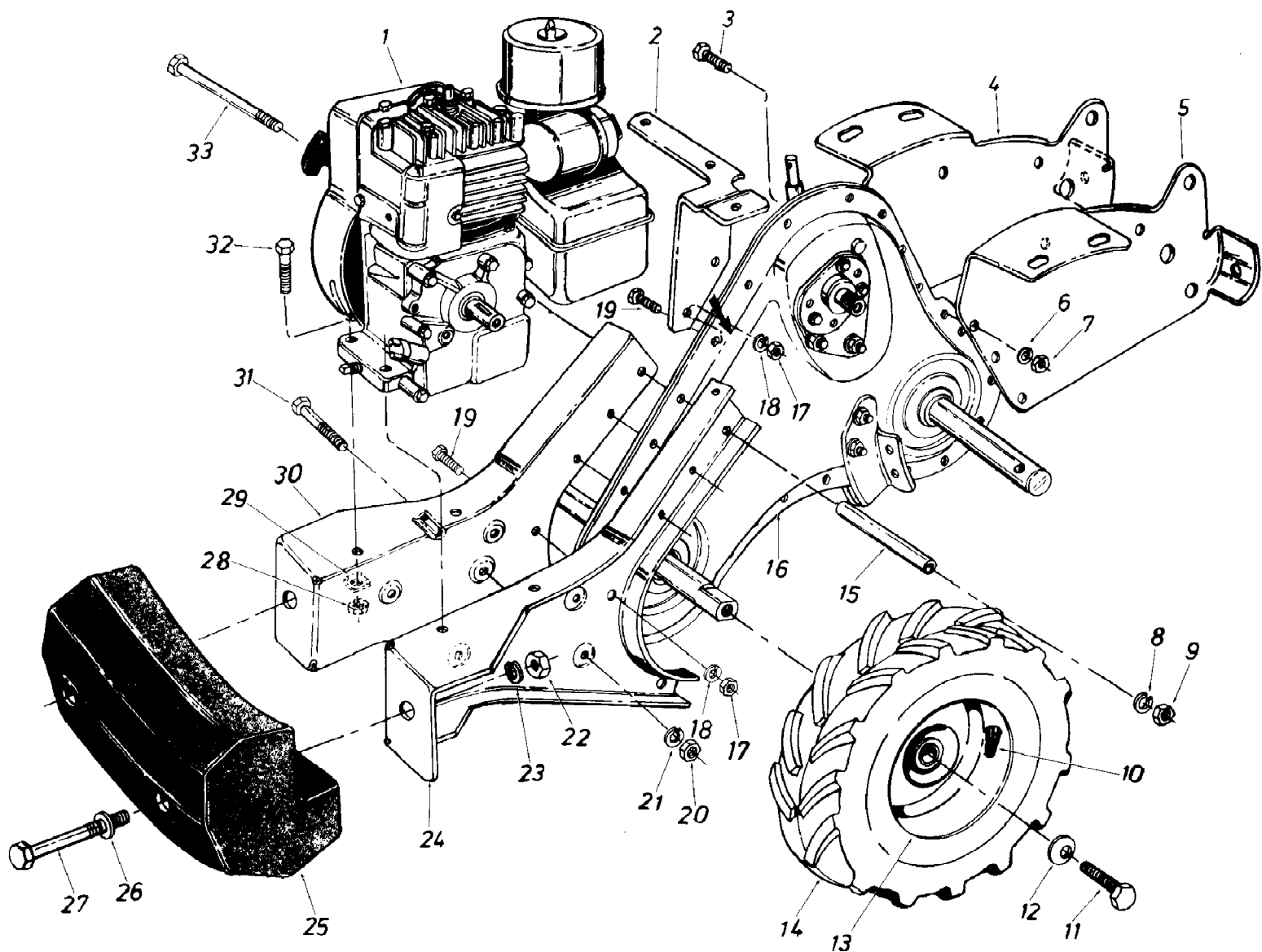


217-430-190 Roto Boss 580 (1987)  
Engine & Drive Assembly

Page 2 of 11

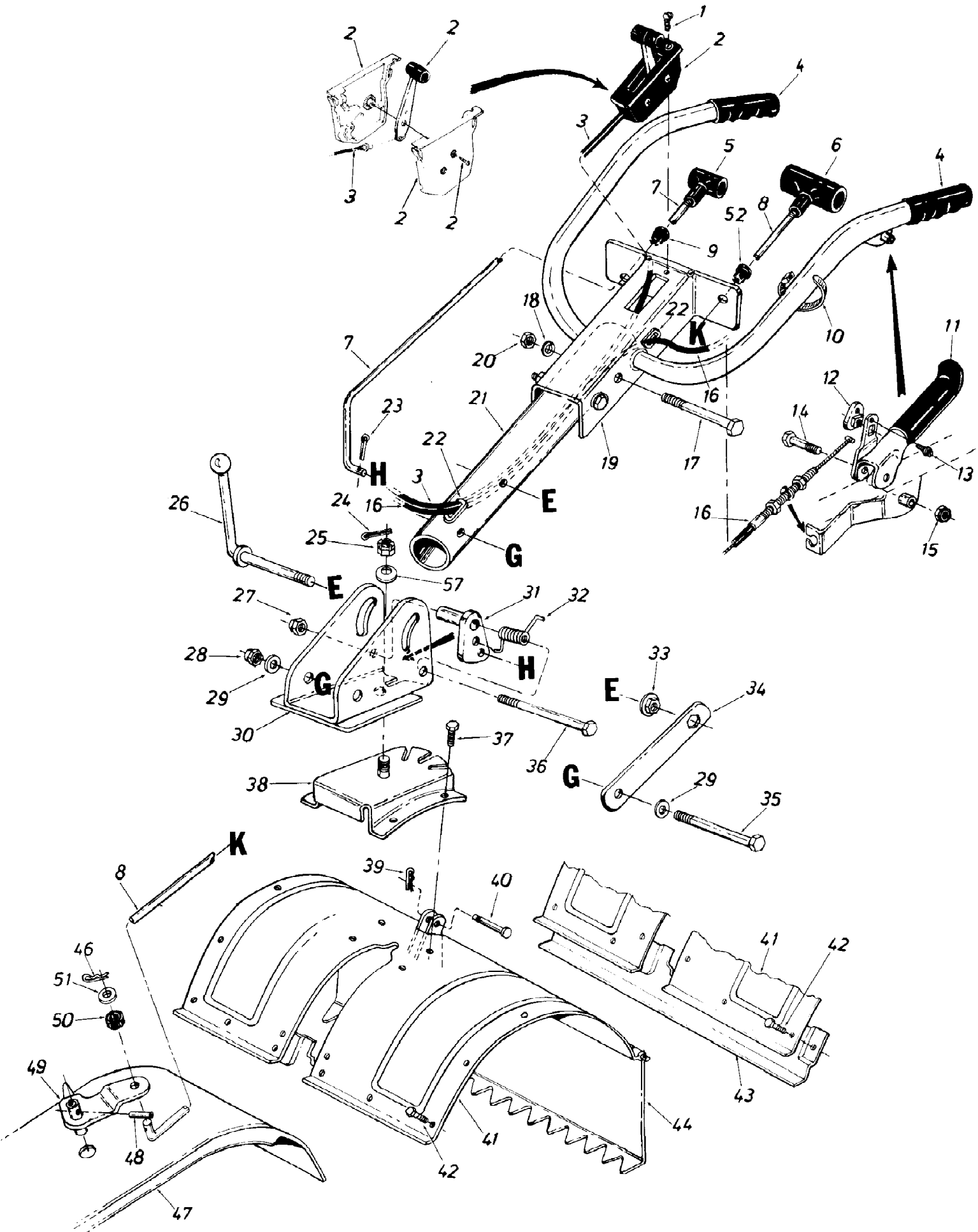
| Ref # | Part Number | Qty | S/P/F | Description                                |
|-------|-------------|-----|-------|--|
| 1     | 710-0974    | 1   | /P    | Hex Bolt 5/16-18 x 4.75 Lg.-Gr. 2          |
| 2     | 710-0604    | 1   | S     | Hex Wash. TT-Tap Scr. 5/16-18 x .62" Lg.   |
| 3     | 784-0203    | 1   |       | Bracket Clutch Cable                       |
| 4     | 746-0612    | 1   | S     | Clutch Control Cable 53" Lg.               |
| 5     | 784-0175    | 1   |       | Idler Bracket Ass'y.                       |
| 6     | 712-0158    | 1   | S     | Hex Cent. L-Nut 5/16-18 Thd.               |
| 8     | 738-0681    | 1   |       | Shld. Bolt .500" Dia. x 2.27"              |
| 9     | 754-0325    | 1   | S     | "V"-Belt                                   |
| 10    | 756-0472    | 1   |       | "V"-Pulley Split 5/8" I.D.                 |
| 11    | 736-0176    | 1   | S     | FI-Wash. 1/4" I.D. x .93" O.D.             |
| 12    | 710-0412    | 1   | /P    | Hex Bolt 1/4-28 x .75" Lg.                 |
| 13    | 710-0599    | 1   | /P    | Hex Wash. Hd. S-Tap Scr. 1/4-20 x .50" Lg. |
| 14    | 736-0463    | 1   | S     | FI-Wash. .281" I.D. x .625"                |
| 15    | 750-0688    | 1   |       | Spacer 3/8" I.D. x 3.38" Lg.               |
| 16    | 712-0262    | 1   | /P    | Hex Cent. L-Nut 3/8-24 Thd.                |
| 17    | 736-0119    | 1   | S     | L-Wash. 5/16" I.D.*                        |
| 18    | 736-0123    | 1   | S     | FI-Wash. 5/16" I.D.                        |
| 19    | 712-0287    | 1   | S     | Hex Nut 1/4-20 Thd.                        |
| 20    | 736-0329    | 1   | S     | L-Wash. 1/4" I.D.                          |
| 21    | 784-0158    | 1   | S     | Belt Cover                                 |
| 22    | 756-0405    | 1   | /P    | FI-Idler w/Flanges 3.75" O.D.              |
| 23    | 710-0409    | 1   | /P    | Hex Bolt 5/16-24 x 1.75"*                  |
| 24    | 710-0152    | 1   | S     | Hex Bolt 3/8-24 x 1.00" Lg.                |
| 25    | 736-0169    | 1   | S     | L-Wash. 3/8" I.D.*                         |
| 26    | 736-0258    | 1   | /P    | FI-Wash. 3/8" I.D. x 1.00"                 |
| 27    | 750-0345    | 1   |       | Spacer .758" I.D. x .990"                  |
| 28    | 748-0282    | 1   |       | Engine Pulley                              |
| 29    | 712-0123    | 1   | /P    | Hex Nut 5/16-24 Thd.                       |
| 31    | 710-0237    | 1   | /P    | Hex Bolt 5/16-24 x .62" Lg.                |
| 34    | 784-0197    | 1   |       | Belt Keeper Ass'y.                         |
| 36    | 736-0258    | 1   | /P    | FI-Wash. 3/8" I.D. x 1.00"                 |
| 37    | 751-0360    | 1   | S     | Casing Clamp                               |
| 38    | 710-0899    | 1   | S     | Hex Sems Scr. #10-32 x .621"               |



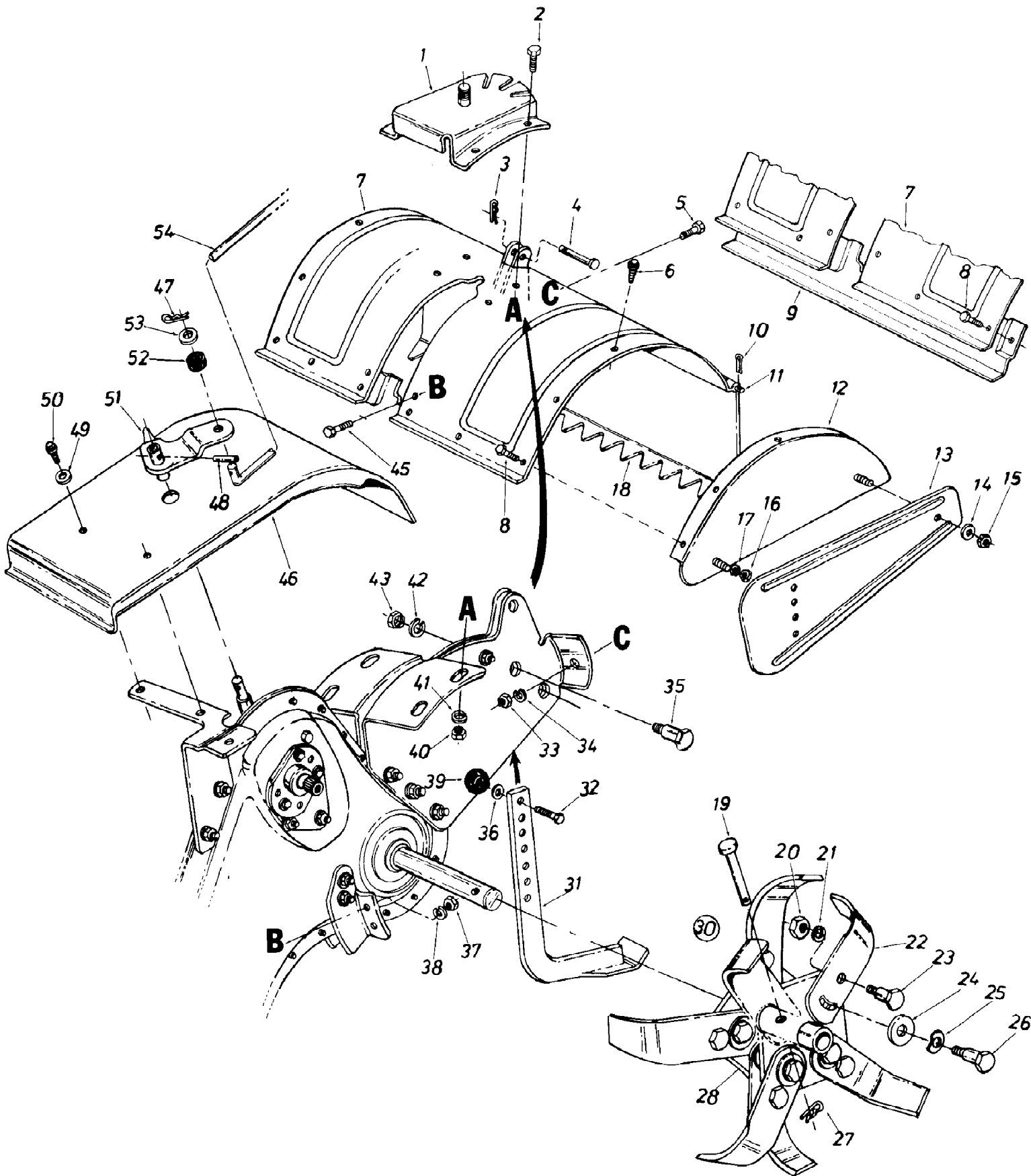
217-430-190 Roto Boss 580 (1987)  
Front Frame & Wheel Assembly

Page 4 of 11

| Ref # | Part Number | Qty | S/P/F | Description                        |
|-------|-------------|-----|-------|------------------------------------|
| 1     |             | 1   |       | Engine                             |
| 2     | 784-0199    | 1   |       | Belt Cover Mounting Brkt.          |
| 3     | 710-0253    | 1   | S     | Hex Bolt 3/8-16 x 1.00" Lg.        |
| 4     | 784-0178    | 1   | S     | Tine Shield Mtg. Brkt.-R.H.        |
| 5     | 784-0177    | 1   |       | Tine Shield Mtg. Brkt.-L.H.        |
| 6     | 736-0169    | 1   | S     | L-Wash. 3/8" I.D.*                 |
| 7     | 712-0798    | 1   | /P    | Hex Nut 3/8-16 Thd.                |
| 8     | 736-0119    | 1   | S     | L-Wash. 5/16" I.D.*                |
| 9     | 712-0267    | 1   | S     | Hex Nut 5/16-18" Thd.              |
| 10    | 734-0255    | 1   | S     | Air Valve                          |
| 11    | 710-0237    | 1   | /P    | Hex Bolt 5/16-24 x .62" Lg.        |
| 12    | 736-0242    | 1   | /P    | Bell-Wash. .345" I.D. x .88"       |
| 13    | 734-1376    | 1   |       | Wheel Rim Ass'y. Only              |
| 14    | 734-1377    | 1   |       | L.H. Wheel Ass'y. Comp.            |
|       | 734-1378    | 1   |       | R.H. Wheel Ass'y. Comp.            |
|       | 734-1154    | 1   | S     | Tire Only 13 x 5.0                 |
| 15    | 750-0688    | 1   |       | Spacer 3/8" I.D. x 3.38" Lg.       |
| 16    | 784-0150    | 1   | S     | Transmission Comp.                 |
| 17    | 712-0267    | 1   | S     | Hex Nut 5/16-18 Thd.               |
| 18    | 736-0119    | 1   | S     | L-Wash. 5/16" I.D.                 |
| 19    | 710-0118    | 1   | S     | Hex Bolt 5/16-18 x .75" Lg.        |
| 20    | 712-0798    | 1   | /P    | Hex Nut 3/8-16 Thd.*               |
| 21    | 736-0217    | 1   | S     | L-Wash. 3/8" I.D.-H.D.             |
| 22    | 712-0206    | 1   | S     | Hex Nut 1/2-13 Thd.                |
| 23    | 736-0921    | 1   | S     | L-Wash. 1/2" I.D.*                 |
| 24    | 784-0155    | 1   |       | Engine Mounting Rail-R.H.          |
| 25    | 723-0381    | 1   |       | #40 Counter Weight                 |
| 26    | 736-0326    | 1   | S     | FI-Wash. .510" I.D. x 1.0"         |
| 27    | 710-0382    | 1   |       | Hex Bolt 1/2-13 x 5.00" Lg.        |
| 28    | 712-0267    | 1   | S     | Hex Nut 5/16-18 Thd.               |
| 29    | 736-0119    | 1   | S     | L-Wash. 5/16" I.D.*                |
| 30    | 784-0154    | 1   |       | Engine Mounting Rail-L.H.          |
| 31    | 710-0216    | 1   | /P    | Hex Bolt 3/8-16 x .75" Lg.         |
| 32    | 710-0442    | 1   | S     | Hex Bolt 5/16-18 x 1.50"           |
| 33    | 710-0974    | 1   | /P    | Hex Bolt 5/16-18 x 4.75" Lg.-Gr. 2 |



| Ref # | Part Number | Qty | S/P/F | Description                             |
|-------|-------------|-----|-------|---|
| 1     | 710-0779    | 1   | S     | Truss Mach. AB-Tap. Scr. #10 x .50" Lg. |
| 2     | 831-0823    | 1   | S     | Throttle Control Box Ass'y.             |
| 3     | 746-0513    | 1   | S     | Throttle Control Wire                   |
| 4     | 720-0180    | 1   | S     | Handle Grip                             |
| 5     | 720-0210    | 1   | S     | Small "T" Knob                          |
| 6     | 720-0209    | 1   |       | Large "T" Knob                          |
| 7     | 747-0666    | 1   |       | Clutch Rod                              |
| 8     | 747-0664    | 1   |       | Control Rod .33 Dia. x 37" Lg.          |
| 9     | 735-0228    | 1   |       | Snap On Bushing 3/8" Dia.               |
| 10    | 725-0157    | 1   | /P    | Cable Tie-Self Clinching                |
| 11    | 784-0202    | 1   | S     | Clutch Grip Ass'y.-L.H.                 |
| 12    | 746-0605    | 1   | S     | Barrel Cable Hold Down                  |
| 13    | 710-0919    | 1   | /P    | Hex B-Tap Scr. #10 x .44" Lg.           |
| 14    | 710-0427    | 1   | S     | Hex Bolt 3/8-16 x 2.0" Lg.*             |
| 15    | 712-0266    | 1   | S     | Hex Cent. L-Nut 3/8-16 Thd.             |
| 16    | 746-0612    | 1   | S     | Clutch Control Cable 53" Lg.            |
| 17    | 710-0194    | 1   | /P    | Hex Bolt 3/8-16 x 3.00" Lg.*            |
| 18    | 736-0217    | 1   | S     | L-Wash. 3/8" I.D.-H.D.                  |
| 19    | 784-0185    | 1   | S     | Handle Ass'y.                           |
| 20    | 712-0798    | 1   | /P    | Hex Nut 3/8-16 Thd.*                    |
| 21    | 784-0189    | 1   |       | Handle Tubing Ass'y.                    |
| 22    | 735-0226    | 1   |       | Rubber Grommet .66" I.D. x 1.12" O.D.   |
| 23    | 714-0507    | 1   | S     | Cotter Pin 3/32" Dia. x .75"-Lg.*       |
| 24    | 714-0111    | 1   | S     | Cotter Pin 3/32" Dia. x 1.25" Lg. *     |
| 25    | 712-0386    | 1   | S     | Hex Slotted Nut 5/8-18 Thd.             |
| 26    | 784-0190    | 1   |       | Handle Adj. Crank                       |
| 27    | 712-0375    | 1   | /P    | Hex Cent. L-Nut 3/8-16 Thd.             |
| 28    | 712-0798    | 1   | /P    | Hex Nut 3/8-16 Thd.*                    |
| 29    | 736-0105    | 1   | /P    | Bell-Wash. .400" I.D. x .87" O.D.       |
| 30    | 784-0182    | 1   | S     | Handle Pivot Bracket                    |
| 31    | 784-0183    | 1   |       | Positioner Crank Ass'y.                 |
| 32    | 732-0493    | 1   |       | Spring Handle Adj. (Torsion)            |
| 33    | 712-0379    | 1   | /P    | Hex Flange Nut 3/8-24 Thd.              |
| 34    | 784-0191    | 1   |       | Bracket Hex Nut Retainer                |
| 35    | 710-0644    | 1   |       | Hex Bolt 3/8-16 x 3.25" Lg.*            |
| 36    | 710-0521    | 1   | /P    | Hex Bolt 3/8-16 x 3.00" Lg.-Gr. 8       |
| 37    | 710-0216    | 1   | /P    | Hex Bolt 3/8-16 x .75" Lg.*             |
| 38    | 784-0181    | 1   | S     | Handle Positioner Brkt. Ass'y.          |
| 39    | 714-0145    | 1   | S     | Intern. Cotter Pin                      |
| 40    | 711-0415    | 1   | S     | Clevis Pin .375" Dia.                   |
| 41    | 784-0156    | 1   |       | Tine Shield 18"                         |
| 42    | 710-0118    | 1   | S     | Hex Bolt 5/16-18 x .75" Lg.             |
| 43    | 784-0210    | 1   |       | Bracket Reinforcement- 0 18"            |
| 44    | 14979       | 1   | S     | Tine Shield Hinge Flap                  |
| 46    | 714-0104    | 1   | S     | Intern. Cotter Pin 5/16" Dia.           |
| 47    | 784-0208    | 1   |       | Shift Cover                             |
| 48    | 715-0120    | 1   | S     | Spring Roll Pin 3/16" Dia. x 1.00" Lg.  |
| 49    | 784-0173    | 1   |       | Shifting Crank Ass'y. D x 2.05          |
| 50    | 735-0127    | 1   | /P    | Rubber Washer .33" I.D. x .87" O.D.     |
| 51    | 736-0133    | 1   | S     | FI-Wash. .400" I.D. x 1.250" O.D.       |
| 52    | 735-0227    | 1   |       | Snap On Bushing 1/2" Dia.               |
| 57    | 736-0317    | 1   | /P    | Bell-Wash. .630" I.D. x 1.25" O.D.      |

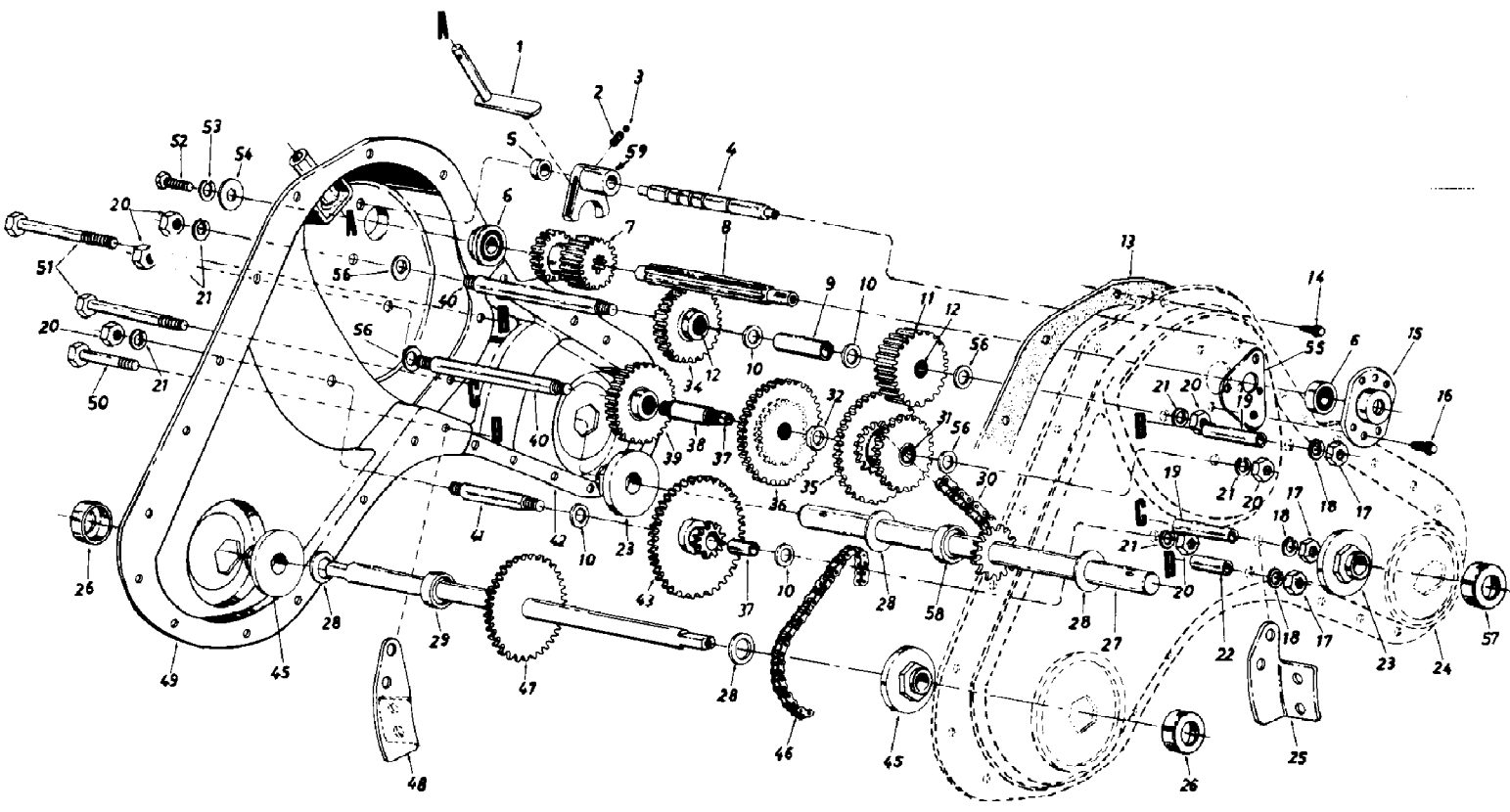


217-430-190 Roto Boss 580 (1987)  
Rear Frame Assembly

Page 8 of 11

| Ref # | Part Number | Qty | S/P/F | Description                               |
|-------|-------------|-----|-------|---|
| 1     | 784-0181    | 1   | S     | Handle Positioner Brkt. Ass'y.            |
| 2     | 710-0216    | 1   | /P    | Hex Bolt 3/8-16 x .75" Lg.*               |
| 3     | 714-0145    | 1   | S     | Intern. Cotter Pin 5/16" Dia.             |
| 4     | 711-0415    | 1   | S     | Clevis Pin .375" Dia.                     |
| 5     | 710-0118    | 1   | S     | Hex Bolt 5/16-18 x .75" Lg.               |
| 6     | 710-0607    | 1   | /P    | Hex Wash. Tap Scr.                        |
| 7     | 784-0156    | 1   |       | Tine Shield 18"                           |
| 8     | 710-0118    | 1   | S     | Hex Bolt 5/16-18 x .75" Lg.               |
| 9     | 784-0210    | 1   |       | Bracket Reinforcement- 0 18"              |
| 10    | 714-0507    | 1   | S     | Cotter Pin 3/32" Dia. x .75" Lg.          |
| 11    | 747-0432    | 1   |       | Tiller Flap Rod                           |
|       | 747-0501    | 1   |       | No Part Description Supplied              |
| 12    | 784-0179    | 1   | S     | End Cover Ass'y.                          |
| 13    | 15390       | 1   | S     | Side Shield                               |
| 14    | 736-0242    | 1   | /P    | Bell-Wash. .345" I.D. x .88" O.D.         |
| 15    | 712-0267    | 1   | S     | Hex Nut 5/16-18 Thd.                      |
| 16    | 712-0267    | 1   | S     | Hex Nut 5/16-18 Thd.                      |
| 17    | 736-0119    | 1   | S     | L-Wash. 5/16" I.D.*                       |
| 18    | 14979       | 1   | S     | Tine Shield Hinge Flap                    |
| 19    | 711-0415    | 1   | S     | Clevis Pin .375" Dia.                     |
| 20    | 712-0241    | 1   | /P    | Hex Nut 3/8-24 Thd.*                      |
| 21    | 736-0217    | 1   | S     | L-Wash. 3/8" I.D.-H.D.                    |
| 22    | 742-0305    | 1   | S     | 13" Dia. Articulating Tine                |
| 23    | 738-0689    | 1   | S     | Shld. Bolt 1/2" Dia. x .175               |
| 24    | 736-0208    | 1   | S     | FI-Wash. .51" I.D. x 1.50" O.D.           |
| 25    | 736-0255    | 1   | S     | Bell-Wash. .515" I.D. x 1.14" O.D.        |
| 26    | 738-0688    | 1   | S     | Shld. Bolt 1/2" Dia. x .320               |
| 27    | 714-0149    | 1   | S     | Intern. Cotter Pin                        |
| 28    | 784-0160    | 1   | S     | Tine Adapter Ass'y. 18"                   |
| 30    | 784-0205    | 1   | S     | Tine Ass'y. Comp. 18"                     |
| 31    | 14992       | 1   | S     | Depth Bar Ass'y.                          |
| 32    | 710-0216    | 1   | /P    | Hex Bolt 3/8-16 x .75" Lg.                |
| 33    | 712-0267    | 1   | S     | Hex Nut 5/16-18 Thd.                      |
| 34    | 736-0119    | 1   | S     | L-Wash. 5/16" I.D.*                       |
| 35    | 738-0148    | 1   | S     | Shld. Bolt 1/2" I.D. x .62" Lg.           |
| 36    | 736-0117    | 1   | S     | FI-Wash. 3/8" I.D. x 5/8" O.D.            |
| 37    | 712-0267    | 1   | S     | Hex Nut 5/16-18 Thd.                      |
| 38    | 736-0119    | 1   | S     | L-Wash. 5/16" I.D.                        |
| 39    | 720-0165    | 1   | S     | Ball Knob                                 |
| 40    | 712-0798    | 1   | /P    | Hex Nut 3/8-16 Thd.                       |
| 41    | 736-0169    | 1   | S     | L-Wash. 3/8" I.D.                         |
| 42    | 736-0169    | 1   | S     | L-Wash. 3/8" I.D.                         |
| 43    | 712-0798    | 1   | /P    | Hex Nut 3/8-16 Thd.                       |
| 45    | 710-0118    | 1   | S     | Hex Bolt 5/16-18 x .75" Lg.               |
| 46    | 784-0208    | 1   |       | Shift Cover                               |
| 47    | 714-0104    | 1   | S     | Intern. Cotter Pin 5/16" Dia.             |
| 48    | 715-0120    | 1   | S     | Spring Roll Pin 3116" Dia. x 1.00" Lg.    |
| 49    | 736-0463    | 1   | S     | FI-Wash. .281 n I.D. x .62n O.D.          |
| 50    | 710-0599    | 1   | /P    | Hex Wash. Self-Tap Scr. 1/4-20 x .50n Lg. |
| 51    | 784-0173    | 1   |       | Shifting Crank Ass'y. D x 2.05            |
| 52    | 735-0127    | 1   | /P    | Rubber Washer .33n I.D. x .37n O.D.       |
| 53    | 736-0133    | 1   | S     | FI-Wash. .400" I.D. x 1.250n O.D.         |
| 54    | 747-0664    | 1   |       | 33" Dia. x 37n Lg.                        |





| Ref # | Part Number | Qty | S/P/F | Description                               |
|-------|-------------|-----|-------|---|
| 1     | 784-0171    | 1   |       | Shifting Bracket Ass'y.                   |
| 2     | 732-0496    | 1   | S     | Compression Spring .50" Lg.               |
| 3     | 741-0862    | 1   | /P    | Ball Detent. 250" Dia.                    |
| 4     | 738-0645    | 1   |       | Detent Shaft 1/2" Dia.                    |
| 5     | 750-0664    | 1   |       | Spacer .505" I.D. x .88" O.D.             |
| 6     | 741-0155    | 1   | S     | Ball Brg. .62" I.D. x 1.38"               |
| 7     | 717-0851    | 1   | S     | Spur Gear 16T (Input)                     |
| 8     | 717-0852    | 1   |       | Input Spline Shaft 7/8                    |
| 9     | 750-0651    | 1   |       | Spacer .657" I.D. x 2.85" Lg.             |
| 10    | 736-0187    | 1   | /P    | FI-Wash. .640" I.D. x 1.24"               |
| 11    | 717-0857    | 1   |       | Spur Gear 30T 7/8" I.D. x 1-1/4" O.D.     |
| 12    | 741-0478    | 1   | S     | Needle Bearing 5/8" I.D.                  |
| 13    | 721-0211    | 1   | S     | Gasket-Trans. Hsg.                        |
| 14    | 710-0599    | 1   | /P    | Hex Wash. S-Tap Scr. 1/4-20 x.50" Lg.     |
| 15    | 784-0211    | 1   |       | 1-3/8" Dia. Bearing Housing               |
| 16    | 710-0642    | 1   | /P    | Hex TT-Tap Scr. 1/4-20 x .75"             |
| 17    | 712-0267    | 1   | S     | Hex Nut 5/16-18 Thd.                      |
| 18    | 736-0119    | 1   | S     | L-Wash. 5/16" I.D.                        |
| 19    | 750-0662    | 1   |       | Spacer 1.56" Lg.                          |
| 20    | 712-0378    | 1   | /P    | Hex Nut 7/16-20 Thd.                      |
| 21    | 736-0407    | 1   |       | Bell-Wash. .45" I.D. x 1.0"               |
| 22    | 750-0661    | 1   |       | Spacer 1.015" Lg.                         |
| 23    | 741-0420    | 1   | S     | Tine Shaft Brg. 1.002 x 2.50              |
| 24    | 784-0214    | 1   |       | Trans. Housing Ass'y.-L.H.                |
| 25    | 784-0193    | 1   |       | Bracket Gear Case-L.H.                    |
| 26    | 784-0166    | 1   | S     | Dust Cover Ass'y. .750 Shaft              |
| 27    | 784-0168    | 1   | S     | Tine Shaft Ass'y. 1.00" O.D.              |
| 28    | 736-0163    | 1   | S     | Thrust Washer 1.030 I.D. x 1.62" O.D.     |
| 29    | 750-0570    | 1   | S     | Spacer 1.0" I.D. x .50" Lg.               |
| 30    | 713-0226    | 1   | S     | Chain #50 5/8 Pitch x 52 0 Links-Endless  |
| 31    | 741-0488    | 1   | S     | Needle Bearing 5/8" I.D.                  |
| 32    | 736-0402    | 1   |       | FI-Wash. 5/8" I.D. x 1 1/4" O.D. x .150   |
| 34    | 717-0854    | 1   |       | Spur Gear 30T 12/16" I.D. x 1/2" W        |
| 35    | 717-0874    | 1   | S     | 30/44T Gear Ass'y. Comp.                  |
| 36    | 717-0863    | 1   |       | Spur Gear 44T                             |
| 37    | 741-0181    | 1   | S     | Sleeve Bearing                            |
| 38    | 717-0835    | 1   |       | Gear Hub 3/4" I.D. x 3.0" Lg.             |
| 39    | 717-0855    | 1   |       | Spur Gear 30T 1.0" I.D. x 1/2 W           |
| 40    | 738-0647    | 1   |       | Jack Shaft 5/8" Dia. x 5.                 |
| 41    | 738-0648    | 1   |       | Jack Shaft 5/8n Dia. x 2.3                |
| 42    | 784-0215    | 1   | S     | Trans. Housing Ass'y.-R.H.                |
| 43    | 717-0858    | 1   |       | Spur Gear 55T                             |
| 45    | 741-0421    | 1   |       | Wheel Brg. .752 x 2.50                    |
| 46    | 713-0367    | 1   | S     | #420 Chain 1/2 Pitch x 50 0 Links-Endless |
| 47    | 784-0170    | 1   |       | Wheel Shaft Ass'y.                        |
| 48    | 784-0192    | 1   | S     | Bracket Gear Case-R.H.                    |
| 49    | 784-0195    | 1   |       | R.H. Housing Ass'y.                       |
| 50    | 710-0116    | 1   | S     | Hex Bolt 5/16-18 x 2.0"*                  |
| 51    | 710-0378    | 1   | /P    | Hex Bolt 5/16-18 x 2.50                   |
| 52    | 710-0513    | 1   |       | Hex Bolt 1/4-20 x .62" Lg.                |
| 53    | 736-0169    | 1   | S     | L-Wash. 3/8" I.D.*                        |
| 54    | 736-0176    | 1   | S     | FI-Wash. 1/4" I.D. x .93" O.D.            |
| 55    | 784-0207    |     |       | Shifting Bracket                          |

217-430-190 Roto Boss 580 (1987)  
Transmission Assembly

Page 11 of 11

| Ref # | Part Number | Qty | S/P/F | Description                       |
|-------|-------------|-----|-------|-----------------------------------|
| 56    | 736-0406    | 1   | S     | Fl-Wash. 7/16" I.D. x 1-3/8" O.D. |
| 57    | 784-0167    | 1   | S     | Dust Cover Ass'y. 1.0" Shaft      |
| 58    | 750-0671    | 1   | S     | Spacer .75" I.D. x 2.0" O.D.      |
| 59    | 717-0853    | 1   | S     | Shifting Fork                     |
|       | 737-0223    | 1   | S     | Benalene #372-0 Grease (27 oz.)   |